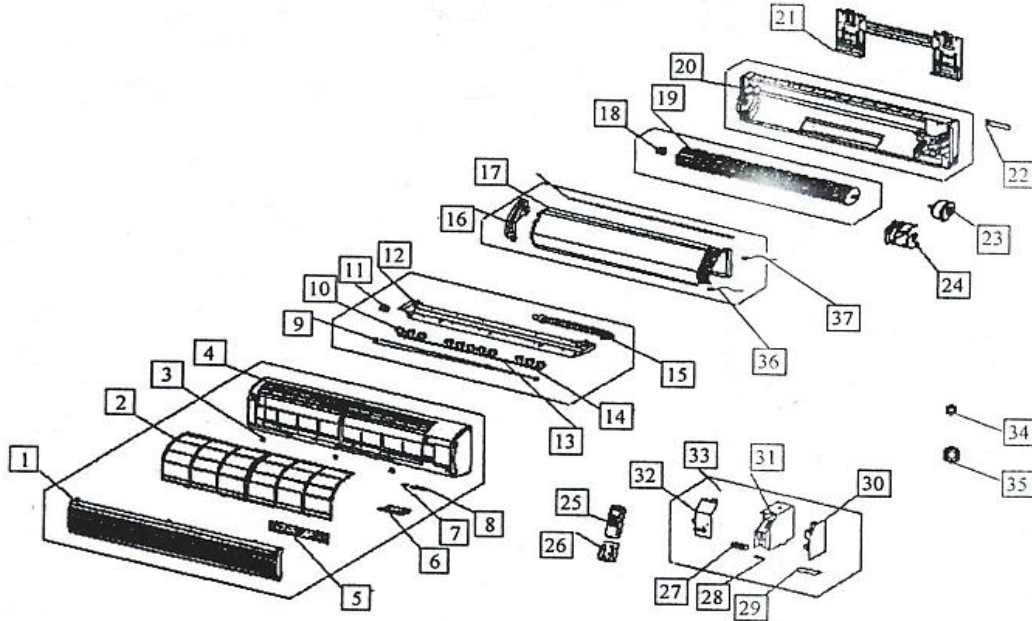


Exploded View Parts for Model: MCL12 115V, 60Hz

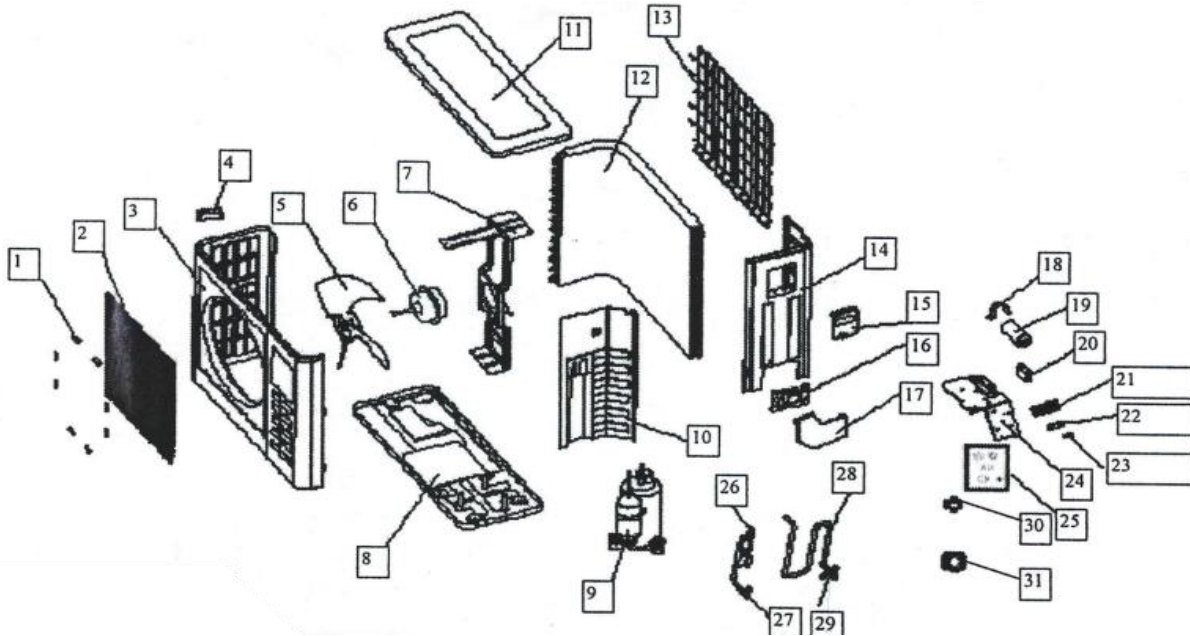
Indoor Unit



| No. | Part Name | No. | Part Name |
|-----|----------------------------|-----|---------------------------|
| 1 | Front Panel | 24 | Motor Cover |
| 2 | Air Filter | 25 | Remote Controller |
| 3 | Screw Cap | 26 | Holder, Remote Controller |
| 4 | Panel Frame | 27 | Wire Joint |
| 5 | Air Cleaner | 28 | Wire Clamp |
| 6 | Display Panel | 29 | Display Board |
| 7 | Window for Receiver | 30 | Main Control Board |
| 8 | Indicator for LED | | Program Chip |
| 9 | Horizontal Louver | 31 | E-Parts Box |
| 10 | Vertical Louver | 32 | E-Part Box Cover |
| 11 | Louver Motor | 33 | Electric Control Ass'y |
| 12 | Air Out Frame | 34 | Copper Nut, TLM-A01 |
| 13 | Louver Holder | 35 | Copper Nut, TLM-C03 |
| 14 | Louver Rocker | 36 | Evaporator Temp Sensor |
| | Rocker Gasket | 37 | Indoor Temp Sensor |
| 15 | Drain Hose | | |
| 16 | Left Holder for Evaporator | | |
| 17 | Evaporator | | |
| 18 | Bearing Holder | | |
| 19 | Cross Flow Fan, Ass'y | | |
| 20 | Chassis | | |
| 21 | Installation Plate | | |
| 22 | Connecting Pipe Clamp | | |
| 23 | Fan Motor | | |

Exploded View Parts for Model: MCL12 115V, 60Hz

Outdoor Unit



| No. | Part Name | No. | Part Name |
|-----|--------------------------------|-----|---------------------------|
| 1 | Clamp for Front Net | 25 | Main Control Board Ass'y |
| 2 | Front Net | 26 | High Pressure Valve Ass'y |
| 3 | Front Clapboard | 27 | Liquid Pipe Valve |
| 4 | Small Clapboard | 28 | Low Pressure Valve Ass'y |
| 5 | Propeller Fan | 29 | Gas Pipe Valve |
| 6 | Fan Motor | 30 | Copper Nut, TLM-A01 |
| 7 | Holder for Fan Motor | 31 | Copper Nut, TLM-B02 |
| 8 | Chassis | | |
| 9 | Compressor | | |
| 10 | Separating Board | | |
| 11 | Cover | | |
| 12 | Condenser | | |
| 13 | Rear Net | | |
| 14 | Right Clapboard | | |
| 15 | Big Handle | | |
| 16 | Installation Plate for Valves | | |
| 17 | Water Collector | | |
| 18 | Capacitor Clamp | | |
| 19 | Compressor Capacitor | | |
| 20 | Fan Motor Capacitor | | |
| 21 | Wire Joint | | |
| 22 | Washer for Wire Joint | | |
| 23 | Clap for Wiring | | |
| 24 | Installation Board for E-Parts | | |