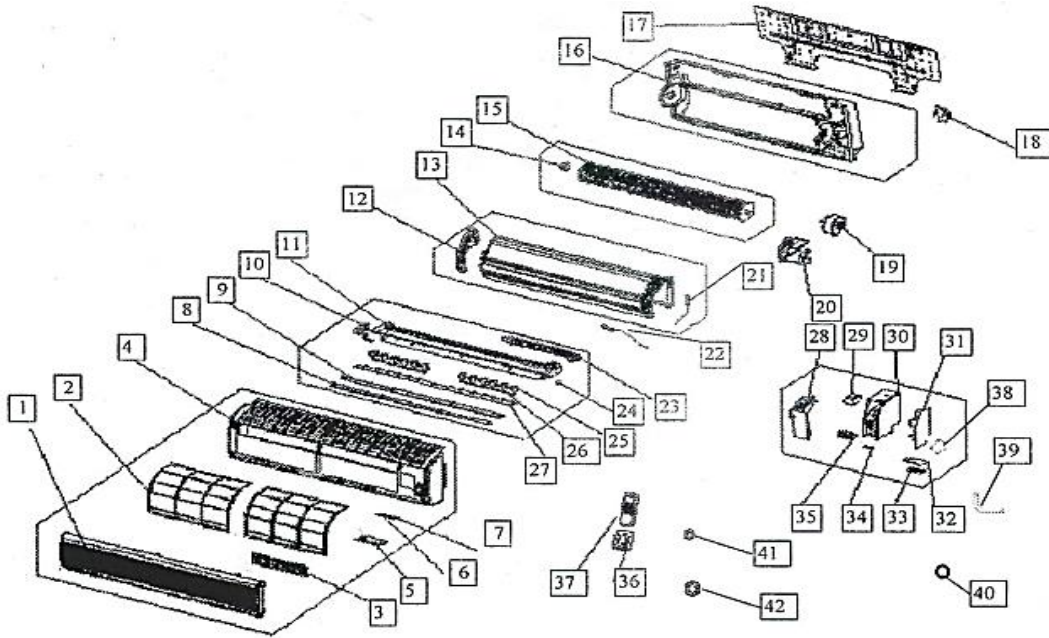


## Exploded View Parts for Model: MCLA12 115V, 60Hz

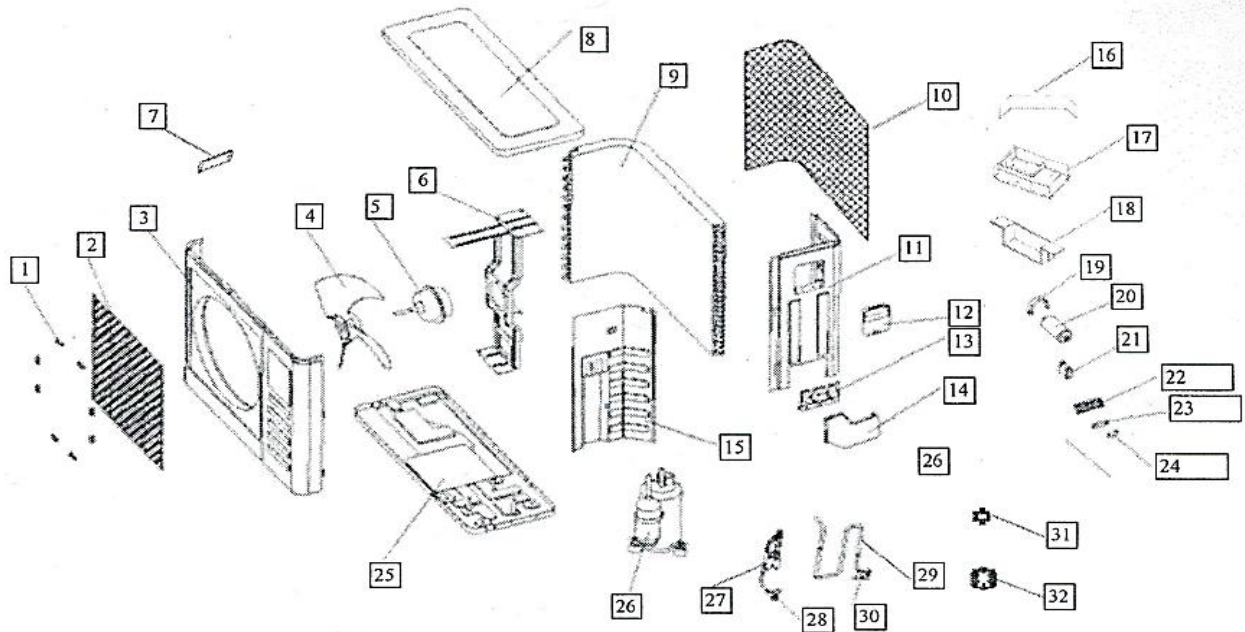
### Indoor Unit



No.	Part Name	No.	Part Name
1	Front Panel	24	Bush
2	Air Filter	25	Louver
3	Air Cleaner	26	Louver Holder
	Air Cleaner Holder	27	Connecting Bar for Louver
4	Panel rame	28	E-Part Box Cover
5	Display Panel	29	Program Chip
6	Protector for Temp Sensor	30	E-Parts Box
7	Clamp for Temp Sensor	31	Main Control Board
8	Horizontal Louver, Up	32	Display Board, Ass'y
9	Horizontal Louver, Down	33	Display Board enclosure
10	Louver Motor	34	Wire Clamp for Power Cord
11	Air Out Frame	35	Wire Joint, 4p
12	Left Holder for Evaporator	36	Holder, Remote Controller
13	Evaporator	37	Remoite Controller
14	Bearing Holder	38	Switch Board
15	Cross Flow Fan, Ass'y	39	Connection Pipe for Drainage
16	Chassis	40	Sealing Ring
17	Installation Plate	41	Copper Nut, TLM-A01
18	Connecting Pipe Clamp	42	Copper Nut, TLM-C03
19	DC Motor		
20	Motor Cover		
21	Evaporator Temp Sensor		
22	Indoor Temp Sensor		
23	Drain Hose		

## Exploded View Parts for Model: MCLA12 115V, 60Hz

### Outdoor Unit



No.	Part Name	No.	Part Name
1	Clamp for Front Net	25	Chassis
2	Front Net Cover Ass'y	26	Compressor
3	Front Clapboard	27	Liquid Valve Assembly
4	Propeller Fan	28	Liquid Pipe Valve
5	Fan Motor	29	Gas Valve Assembly
6	Holder for Fan Motor	30	Low Pressure Valve
7	Small Handle	31	Copper Nut, TLM-A01
8	Cover	32	Copper Nut, TLM-C03
9	Condenser Assembly	33	Main Control Board Ass'y
10	Rear Net		
11	Right Clapboard		
12	Big Handle		
13	Installation Plate for Valve		
14	Water Collector		
15	Separating Board		
16	Installation board for E-Part		
17	Electronic Control Box		
18	E-parts Installation Box		
19	Capacitor Clamp		
20	Compressor Capacitor		
21	Fan Motor Capacitor		
22	Washer for Wire Joint		
23	Wire Joint		
24	Wire Clamp		